

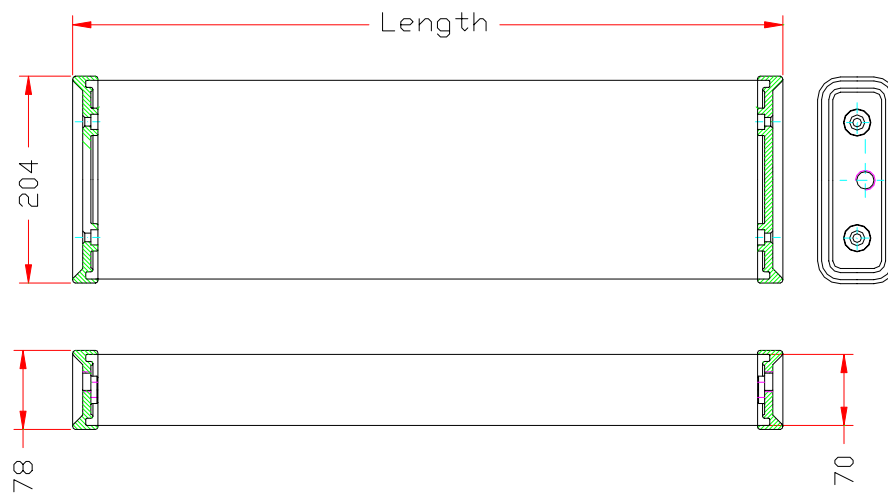
ParaLamp™ is developed and manufactured by Formax Ltd, and specially suitable for the wet environment in the food processing industry. The product is solely made of food grade materials.

**Features:****Standard**

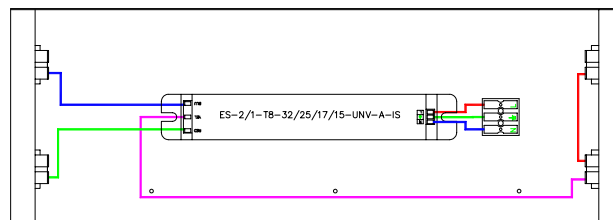
- Protection according to IP-68
- High-impact plastic materials
- Electronic ballast
- Pre-heat start in 1 second
- Low temperature
- Fitted with cable
- No starters needed

**Options**

- Custom specified length
- Reflector inside tube
- Emergency battery kit



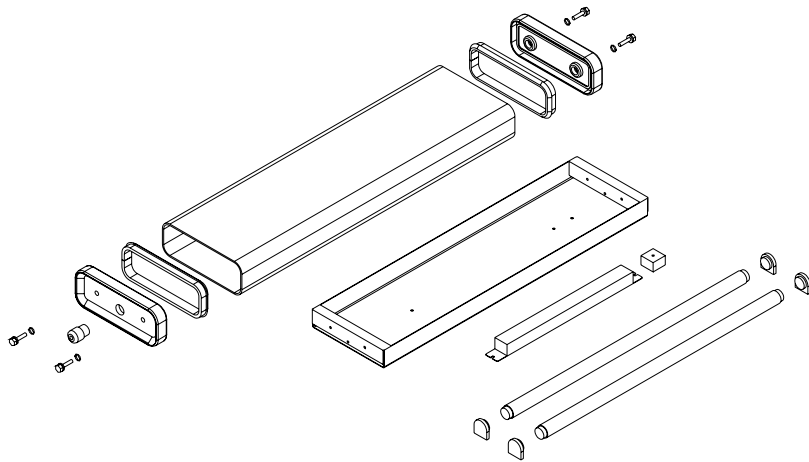
**Figure 1: Formax ParaLamp™ (SNL218)**



**Figure 2: ParaLamp ballast**

<b>Dimensions</b>		
Height	78	mm
Width	204	mm
<b>Length SNL215</b>	<b>550</b>	<b>mm</b>
<b>Length SNL218</b>	<b>700</b>	<b>mm</b>
<b>Length SNL236</b>	<b>1310</b>	<b>mm</b>
Free space	10-20	mm
Table plate distance	5-10	mm
<b>Technical specifications</b>		
Voltage	110/220	Volt
Frequency	50/60	Hz
Consumption SNL215	2x15	W
Consumption SNL218	2x18	W
Consumption SNL236	2x36	W
Power factor	0.5	
Isulation class	IP68	
Material	Plastic	

**Table: ParaLamp™ data**



**Figure 3: ParaLamp™ assembly parts**