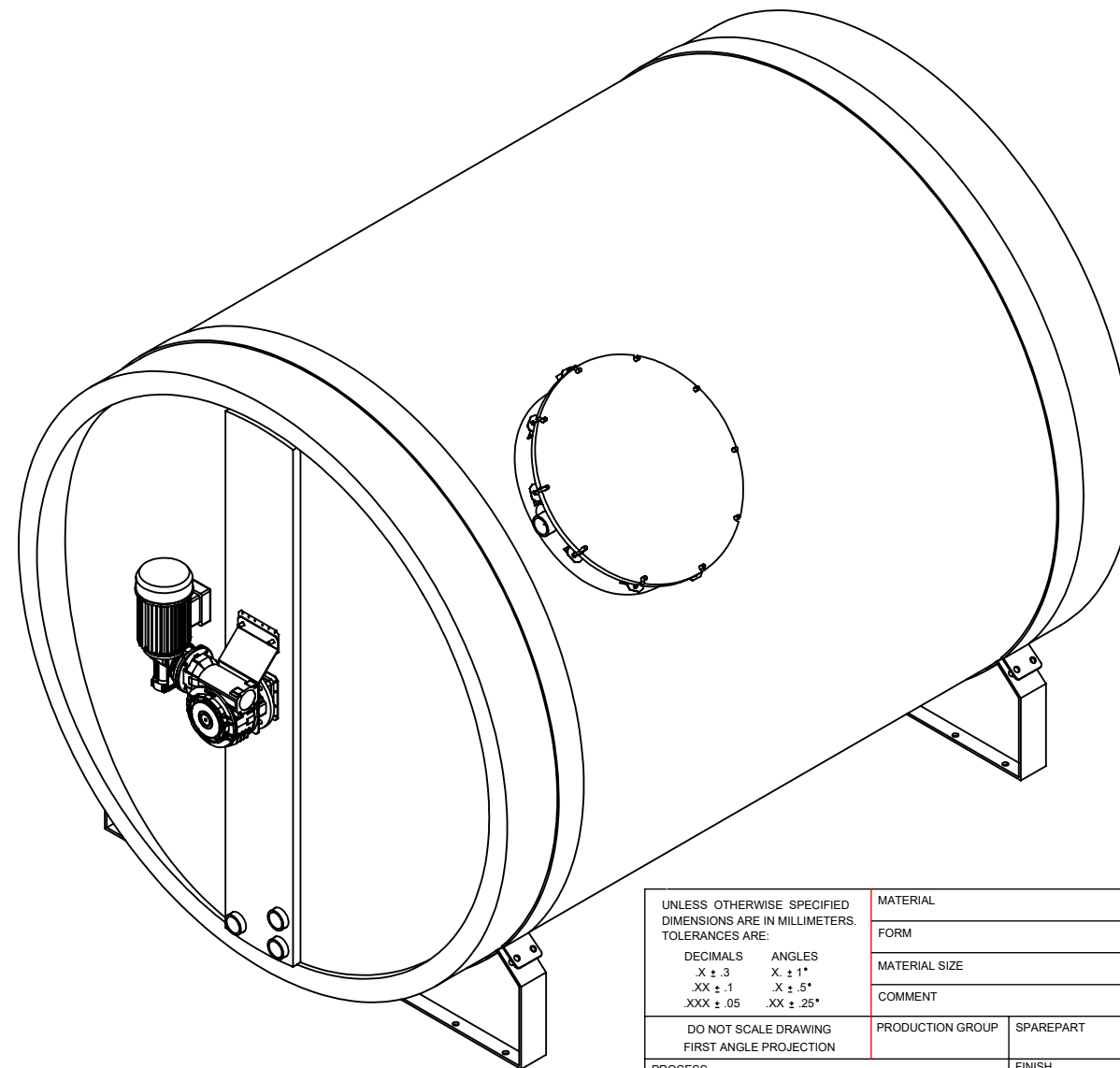
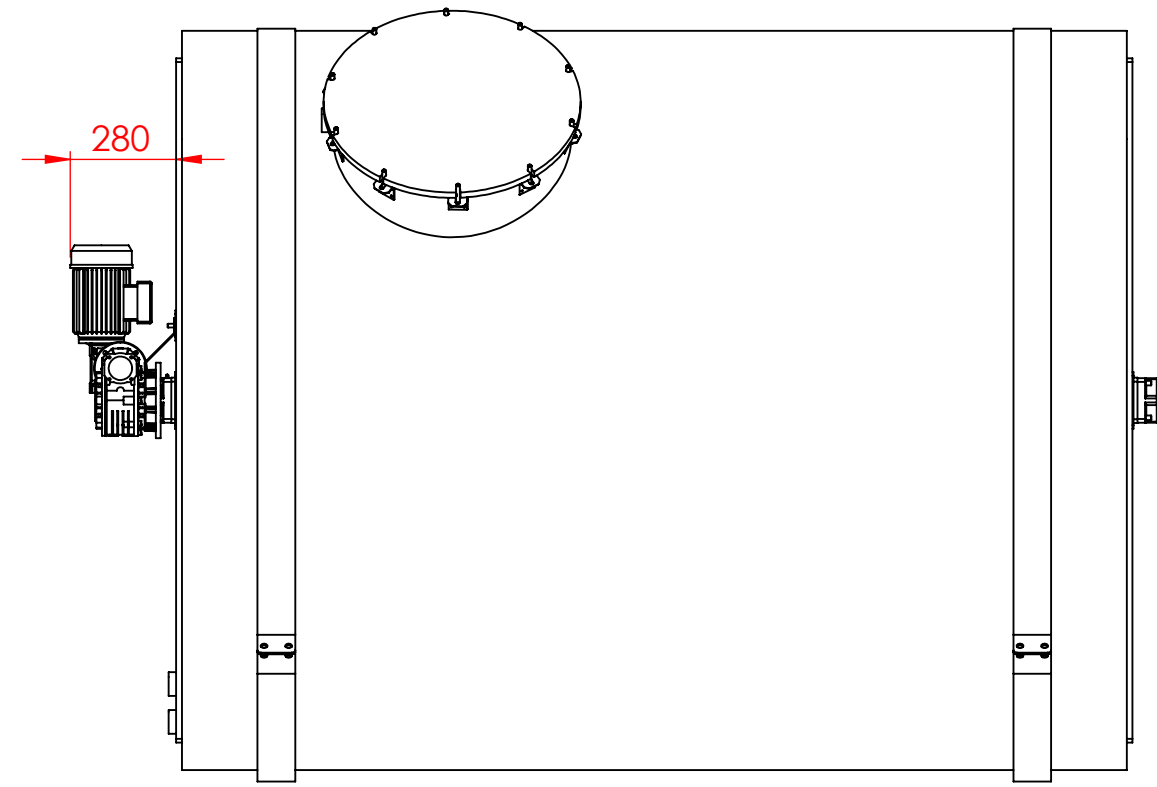
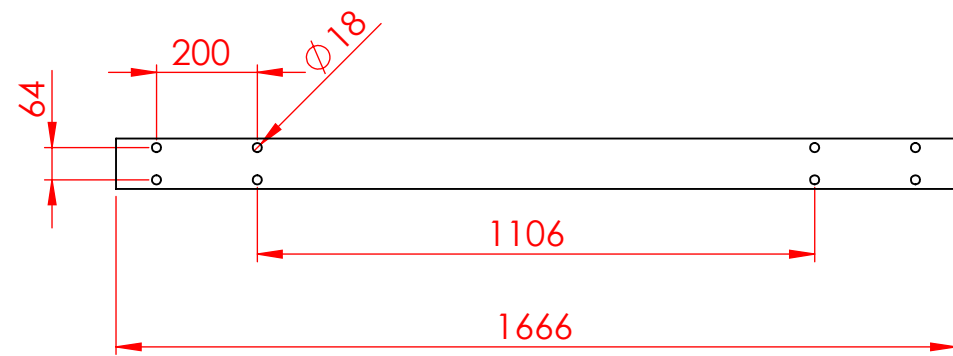


Drain 1 1/2"

Space Saving / hatch 45 degree



Total Pipe length minus 300mm / 2544 Liters per meter.
Max Pipe length: 8500 mm
Plastic : Polyethylene Borstar HE3470-LS
Food approval.
Color : Black / Optional white inside
Dimensions: 1800mm inside 1950mm Outside
Agitator: °sn/min 7 Motor 0,75kw 3x400 50/60hz

UNLESS OTHERWISE SPECIFIED DIMENSIONS ARE IN MILLIMETERS. TOLERANCES ARE:		MATERIAL		FORMAX www.formax.is Tel: +354 562 6800 Fax: +354 562 6808 mobile +354 660 6868	
DECIMALS ANGLES .X ± .3 X ± 1° .XX ± .1 X ± .5° .XXX ± .05 .XX ± .25°		FORM			
DO NOT SCALE DRAWING FIRST ANGLE PROJECTION		COMMENT		ST 1800 Liquid Ice-tank 45 Hatch Double Wall Insulation 75mm	
PROCESS		FINISH		REPLACES	
DESIGNED BY	DATE	DRAWN BY	DATE	REPLACED BY	
Bjarni	19.09.2013	Bjarni	-	-	
APPROVED BY	DATE	CHECKED BY	DATE	SIZE	DWG NO.
-	-	-	-	A3	-
SCALE 1:50		CAD FILE: ST-1800-Sale-01		SHEET 2 OF 3	

FORMAX CONFIDENTIALITY AGREEMENT NOTICE:
 IN SO FAR AS THIS DRAWING EMBODIES A CONFIDENTIAL PROPRIETARY DESIGN OWNED BY FORMAX, NOTICE IS HEREBY GIVEN THAT ALL DESIGN, MANUFACTURING, REPRODUCTION USE AND SALES RIGHTS REGARDING THE SAME ARE EXPRESSLY RESERVED TO FORMAX. THIS DRAWING IS SUBMITTED UNDER A CONFIDENTIAL RELATIONSHIP FOR A SPECIFIC PURPOSE AND THE RECIPIENT HERETO AGREES NOT TO DISCLOSE THIS DRAWING OR ANY PORTION OF ITS CONTENTS TO ANY UNAUTHORIZED PERSON, OR TO INCORPORATE THIS PROPRIETARY DESIGN OR THE SUBSTANCE OF IT EITHER IN WHOLE OR IN PART IN ANY OTHER PROJECTS.